

## BX20 Handheld Thermography Camera



HIKMICRO BX20 is certified to measure temperature in many explosive environments to quickly find invisible faults. It's equipped with a 256 × 192 resolution thermal detector and 2 MP visual camera. The temperature ranges from -20°C to 550°C (-4°F to 1022°F), which meets the most situation. It helps the staff to quickly find the fault according to accurate temperature measurements of high-temperature targets in the environment. Meanwhile, it provides assistance in the decision and ensures safety.

### Key Feature

- ATEX: II 3 G Ex ic IIC T6 Gc, II 3 D Ex ic IIIC T85°C Dc
- IECEx: Ex ic IIC T6 Gc, Ex ic IIIC T85°C Dc
- Thermal resolution: 256 × 192 (49,152 pixels)
- Temperature measurement range : -20°C to 550°C (-4°F to 1022°F)
- 25 Hz image frequency
- 3.2" LCD screen display
- Up to 6 hours continuous running

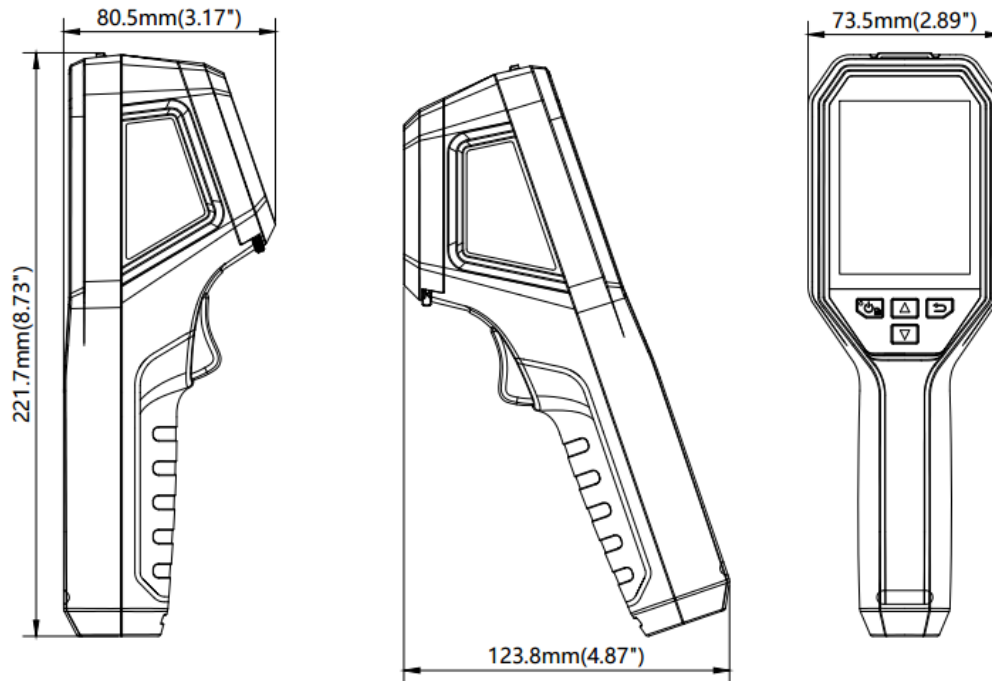
## ▪ Specification

Infrared Image	
IR Resolution	256 × 192 (49,152 pixels)
NETD	< 40 mK (@ 25 °C, F#=1.0)
Image Frequency	25 Hz
Detector Pitch	12 μm
Spectral Range	7.5 to 14 μm
Focal Length	3.6 mm
F-number	F1.0
Field of View (FOV)	37.2° × 50.0°
Spatial Resolution (IFOV)	3.3 mrad
Min. Focus Distance	0.3 m (0.98 ft)
Focus Mode	Focus Free
Image Display	
Visual Camera	1600 × 1200 (2 MP)
Display	240 × 320 Resolution, 3.2" LCD Screen
Color Palettes	White Hot, Black Hot, Rainbow, Ironbow
Color Alarm	Above alarm
Image Modes	Thermal/Visual/Fusion/PIP
Measurement and Analysis	
Object Temperature Range	-20°C to 550°C (-4°F to 1022°F)
Accuracy	Max. (± 2°C/3.6°F, ± 2%), for ambient temperature 15°C to 35°C (59°F to 95°F) and object temperature above 0°C (32°F)
Measurement Tools	Center Spot, Hot Spot, Cold Spot User-definable: 3 spots
Level and Span Mode	Auto/Manual
Data Storage and Communication	
Storage Media	Built-in 16 GB flash memory
Image Storage Capacity	Approx. 90,000 Images
General	
LED Light	Yes
Battery Type	Rechargeable Li-ion battery
USB Interface	USB Type-C
Battery Operating Time	Approx. 6 hours
ATEX / IECEx Certificate Type	ATEX: II 3 G Ex ic IIC T6 Gc, II 3 D Ex ic IIIC T85°C Dc IECEx: Ex ic IIC T6 Gc, Ex ic IIIC T85°C Dc
Battery Charging Time	Approx. 3 hours fully charged
Protection Level	IP54
Drop Test Height	2 m (6.56 ft)
Working Temperature Range	-20°C to 50°C (-4°F to 122°F)
Storage Temperature Range	-20°C to 60°C (-4°F to 140°F)
Relative Humidity	< 95% non-condensing
Weight	Approx. 380 g (0.84 lb)
Dimension	221.7 × 73.5 × 123.8mm (8.73 × 2.89 × 4.87 in)
Tripod Mounting	UNC ¼"-20

## ▪ Available Model

BX20

## ▪ Dimension



Unit: mm (inch)

## ▪ Optional Accessories



HM-B01-POUCH

COMPLIANCE NOTICE: The thermal series products might be subject to export controls in various countries or regions, including without limitation, the United States, European Union, United Kingdom and/or other member countries of the Wassenaar Arrangement. Please consult your professional legal or compliance expert or local government authorities for any necessary export license requirements if you intend to transfer, export, re-export the thermal series products between different countries.



Distributed by:

**testoon**.COM  
The measurement website

99 rue Beranger 92320 Chatillon - France

Tel. : +33 (0) 1 71 16 17 00

E-mail: [contact@testoon.com](mailto:contact@testoon.com)

[www.testoon.com](http://www.testoon.com)



HIKMICRO Thermography hikmicro\_thermography HIKMICRO Thermography HIKMICRO [info@hikmicrotech.com](mailto:info@hikmicrotech.com) <http://hikmicrotech.com/en>

© 2023 Hangzhou HIKMICRO Sensing Technology Co., Ltd. All Rights Reserved.

Data subject to change without notice!